



盐城市鸿卓机械设备有限公司

Yancheng Honzo Machinery & Equipment Co., Ltd

Address: No.2#-608B Finance Renming road, Yancheng, Jiangsu, China

Contact person: Mr Shown Gu, Mob/Whatspp/wechat: +86-13626220012

Web: www.cn-carwashmachine.com Email: shown@cnhonzo.com

HZ-SG plus Automatic Touchless Car Wash Equipment Overview

HZ-SG plus Car Wash Equipment the Revolution of Car Wash Industry, Washing Cleaning is King !

The development of the HZ-SG plus had one principle: a touchless machine should still deliver a great wash result ! The combined chemical applicator and high pressure bar do make this possible. It keeps an even distance to the car so that the chemicals can reach all parts of the vehicle in the same concentration. The combination of different chemicals will soften up even persistent dirt and the contouring high pressure system will clean it off easily.



HZ- SG plus Touchless Car Wash

HZ-SG plus Contour-following Pre-soak Application and Super High pressure Rinse

In several stages two presoak chemicals are applied to the vehicle to soften up any crusted dirt, with our contouring application system the chemicals will be evenly applied to all areas of the car. It will automatically detect and identify all types of vehicles, contour following the car body at accurately 35cm distance, water is alternately supplied from horizontal arm or from vertical arm, up to 80-100 bar high pressure water with 15 nozzles could easily flushing away the dirt. Horizontal arm could go to really bottom and makes perfect cleaning at vehicle head and tail.

Contour-following Pre-soak Application and High pressure Rinse



HZ-SG plus OverGlow Hi-Gloss Lava Foam System

Bright active agent Biodegradation and can improve the decontamination effect, making the paint surface more beautiful and brighter. Fantastic colorful LED light will attract drivers off street and onto your wash bay.

OverGlow Hi-Gloss Lava Foam System



HZ-SG plus High Pressure Side Wash with fixed Arm

German P+F ultrasonic sensor detection system ensure 35 cm precision washing distance on both sides, water is alternately supplied from horizontal arm or from vertical arm, up to 100bar flushing pressure with 9 powerful USA made jets at both sides, can effectively cleans the sides and sill areas of the vehicle.



High Pressure Side Wash with Duel fixed Arm

HZ-SG plus Spot Free Reverse Osmosis Water Rinse

Final rinse with reverse osmosis water can perform a spot free car wash, the crystal coating wax can be completely absorbed on the surface of the car body, with superior protection of car paint, and features anti-acid rain, pollution, UV erosion.



Spot Free Reverse Osmosis Water

HZ-SG plus Intergrated Air Drying System

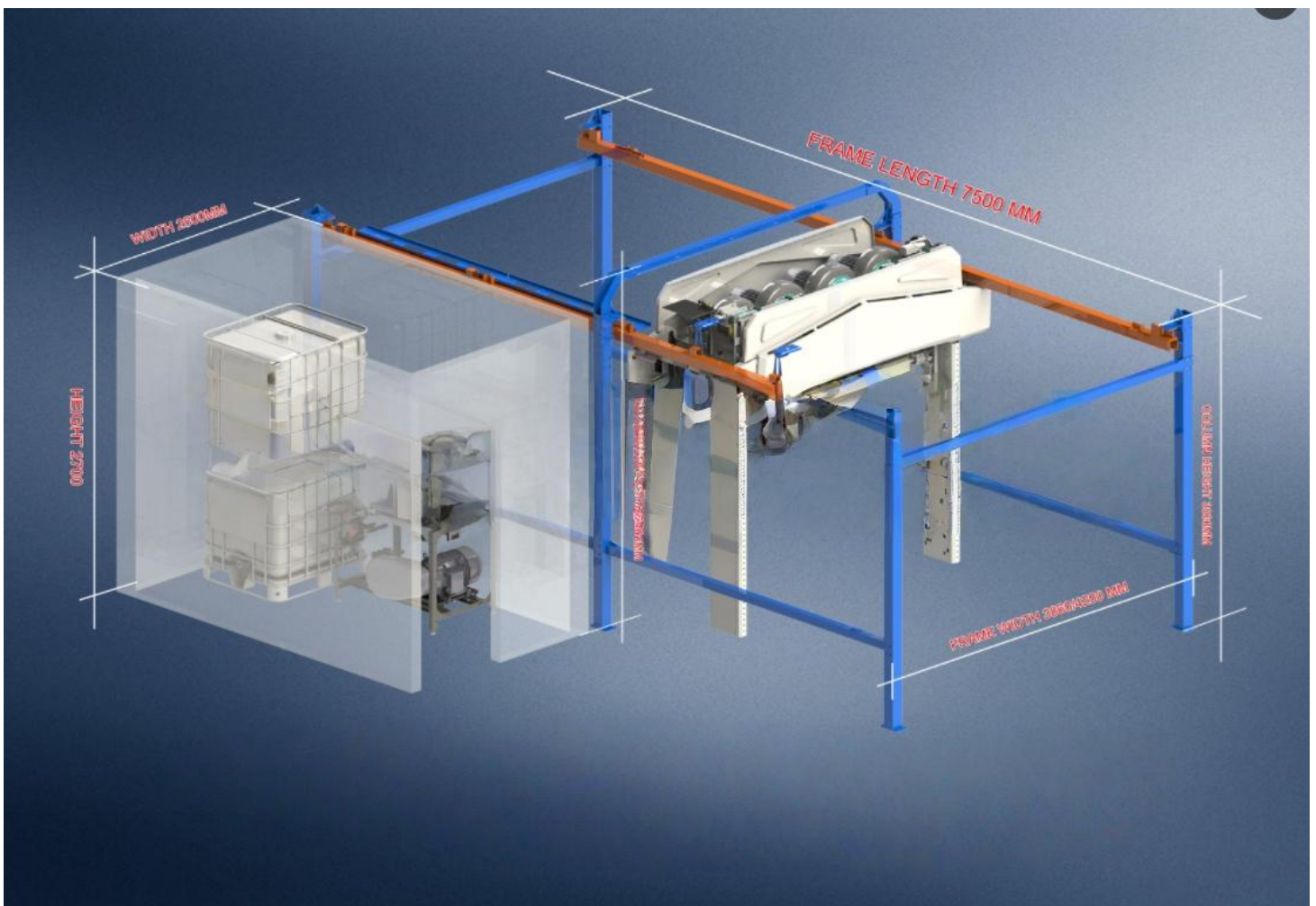
Following the philosophy there is no great car wash without a great drying system. HZ-SG plus configuring four 5.5kw Siemens motors embedded in the washing machine and add the two sides fans-5.5kw (optional), control the airflow by four cylindrical outlet, the first task is to split a bunch of wind air, reducing wind drag subsequent to follow airflow to dry the surface of the car body, complete drying the car within 50 seconds.



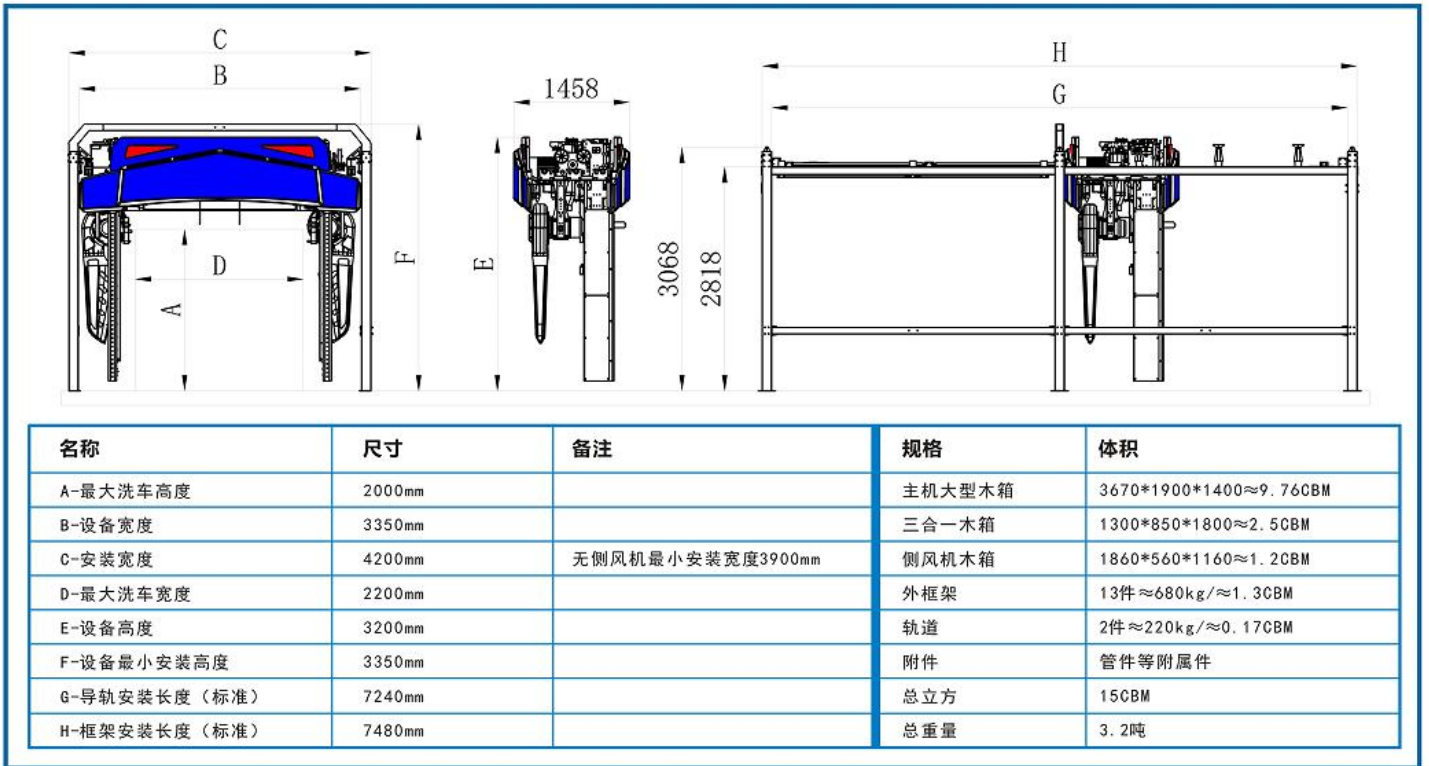
Intergrated Air Drying System

HZ-SG plus 24 hours Self-Service Online Paying

Through the online payment with voice guidance system can achieve 24-hours self service car wash. In China people use WeChat or Alipay online paying, overseas customers can adopt local payment system work together with HZ-SG plus systems.



HZ-SG plus Car Wash Equipment 3D Drawing




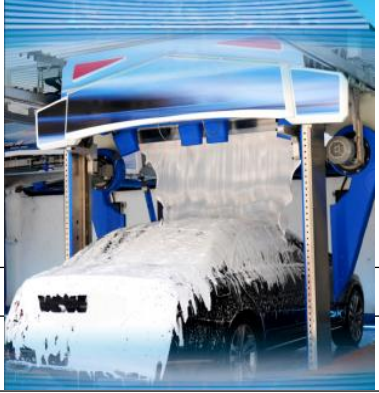
HZ-SG plus:15M2,Weight:3200kg

Video Link:

<https://youtube.com/shorts/Sh>

[b00tCKG_Y?feature=share](https://youtube.com/shorts/Sh)

HZ-SG Plus Configuration List

Name/Model	HZ-SG PLUS-A	HZ-SG PLUS-B
Equipment photo		
Launch time		
Three-phase electricity /whole machine power		
Power requirements (kw)	380V/22Kw/50Hz/60Hz	380V/22Kw/50Hz/60Hz
Installation requirements (mm)	7500*3850*3300	7500*3850*3300
Maximum car wash size (mm)	5600*2950*2250	5600*2950*2250
Warranty	1~3 years	1~3 years
Rail length (mm)	7500mm	7500mm
No-resistance slide system	Anti-slip slide rail /patented technology	Anti-slip slide rail /patented technology
Main machine weight	3200kgs	3500kgs
CPU	Embedded CPU Industrial control PLC dual-core system	Embedded CPU Industrial control PLC dual-core system
Vertical/horizontal/lift/rotation	Servo frequency conversion drive	Servo frequency conversion drive
Vehicle detection system	Photoelectric sensor	Photoelectric sensor
Main control system	3-in-1 frequency conversion main control system	3-in-1 frequency conversion main control system
Digital safety anti-collision system	Electronic anti-collision system/patented technology	Electronic anti-collision system/patented technology
Contour following high-pressure washing	35CM distance measurement with contour flushing	35CM distance measurement with contour flushing
Main water pump motor power (kw)	Germany INNOMOTICS 380V/18.5kw	Germany INNOMOTICS 380V/18.5kw
Air dryer motor power (kw)	Made in China motor Top air dryers 5.5kw*4	Germany INNOMOTICS Top air dryers 5.5kw*4
Side dryer (kw)	option	GermanyINNOMOTICS/5.5kw*2
Flushing pressure	90-120kg	90-120kg
Car washing time (min)	Quick wash 2min /Better wash 6min	Quick wash 2min /Better wash 6min
Chemical consumption (ml)	20-50ml	20-50ml
Power consumption (kwh)	0.5-0.6/vehicle	0.5-0.8/vehicle
Water consumption (L)	100-200L	100-200L
Whole machine sheet metal	304 stainless steel	304 stainless steel

process		
24-hour self-service car washing	with payment terminal	with payment terminal
Voice prompt	Human voice guidance	Human voice guidance
Installation frame national standard (mm)	140*140*4 galvanized steel	140*140*4 galvanized steel
Chassis flushing	●	●
Double presoaks	●	●
Contour following high-pressure flushing	●	●
High-pressure side flushing	●	●
Built-in variable frequency air drying system	●	●
Side air dryer	-	●
WAX	●	●
RO WATER spot free rinse	●	●
SHAMPOO	●	-
OVERGLOW HI-GLOSS	-	●
Contour flushing intelligent safety anti-collision ring	●	●
Remote control	●	●
APP background management system	●	●
LED large screen car wash process display	●	●
Panel lighting	●	●
Lifting lighting system	●	●
Voice guidance/intelligent parking	●	●
Installation frame	●	●
Industrial remote control operation	●	●
Installation and maintenance tool kit	●	●
Authorization setting	●	●
Car wash quantity report statistics	●	●
Automatic standby function	●	●
Fault self-check function	●	●
One-button reset	●	●
Automatic standby	●	●
Communication interface	●	●
Remote system free upgrade 4G/5G	●	●
Multi-language operating system	●	●
Multi-language guidance broadcast system	●	●
Sewage circulation system	-	-
Reverse osmosis water	-	-

equipment		
304 stainless steel automatic shutter door	-	-
Main Components	Brand	Material
Control system PLC	Siemens, Germany	Industrial control
Electrical components	Schneider, France	Industrial control
Frequency conversion drive system	Delta, Taiwan	Industrial control
High-pressure plunger pump	Germany Pinfl	Germany/PT36
Pump station main motor	18.5kw Siemens, Germany	Aluminum shell
Three-in-one inverter	Delta, Taiwan, China	30KW inverter
Air drying motor 4*5.5kw	INNOMOTICS, Germany	Aluminum shell
Side fan 2*5.5kw	INNOMOTICS, Germany	Aluminum shell
Transmission bearing	NSK bearings, Japan	304 stainless steel/rubber cover waterproof bearing
High-pressure hose	PARKER, USA	471TC/3125PSI/pressure bearing 200kg
Engineering drag chain	IGUS, Germany	Original import
Drag chain cable	IGUS, Germany	Original import
Lifting synchronous belt	Italy MEGADYNE	Industrial grade
Sensor	Germany P+f/Italy Modi	Industrial control
High-pressure nozzle	USA SPRAY brand	316 hard stainless steel /15°angle
Longitudinal travel motor/reducer	Imported from Italy	IP67 waterproof grade
Lifting and flushing motor/reducer	Imported from Italy	IP67 waterproof grade
Lifting and rotating motor/reducer	Imported from Italy	IP67 waterproof grade
Main machine sheet metal process	China	All 304 stainless steel
Contour following lift and flushing device	China	All 304 stainless steel
Rails	China	6mm thick industrial slide
Human-machine interface	Delta, Taiwan	10-inch Delta touch screen
Pneumatic components	AirTAC, Taiwan	Engineering plastic /304 stainless steel
Travel wheels/tensioning wheels	PA6 material from Germany	Mold rubber coating
Mounting frame	4mm thickness	Hot-dip galvanized (finished products) No need welding
Connecting pipes for whole machine pipelines	China	All 304 stainless steel
Screws/nuts/spring washers /flat washers	China	All 304 stainless steel
Key pins/hoops/circlips/connectors	China	All 304 stainless steel
Remark: Standard ● Optional -		